

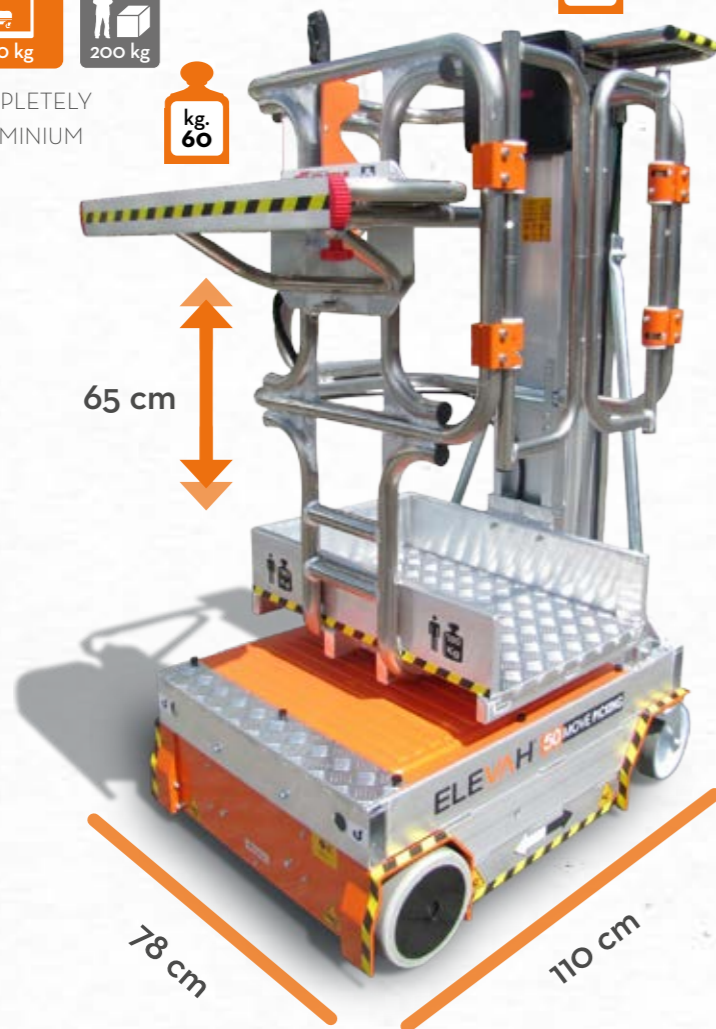
ELEVAH[®] 50 MOVE picking



The model Elevah 50 MP is the stock picker that weighs 400 kg and has a capacity of 200 kg. It is equipped with double picking tray.



COMPLETELY ALLUMINIUM



It is extremely compact (78 cm X 110 cm) allowing to move easily around very narrow spaces.

PICKING PLATFORMS

It is equipped with an extendable as well as adjustable in height picking platform with a winch at the operator's station. It is also equipped with a fixed tools platform. The picking platform has a capacity of 60 kg, whereas the tools platform has a maximum capacity of 40 kg.



COMPLETE CONTROL IN ONE HAND

The single lever joystick allows the operator to have one hand free and carry out other operations at height with ease.

SOME ACCESSORIES AND CUSTOMISATION

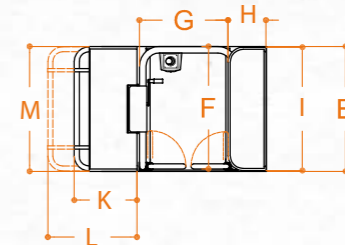
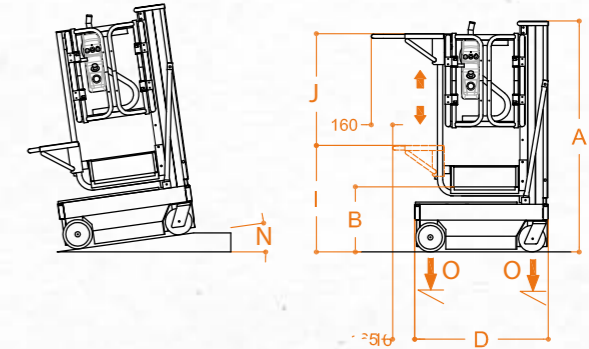


ZA: ballast for slippery floors (100 kg).

OTHER ACCESSORIES AND CUSTOMISATION ON P. 46

Technical data

Max. working height	5,17 m	
Max capacity	200 kg	
Number of people	1	
Use	Internal - External	
A	Closed machine height	1745 mm
B	Minimum platform height	490 mm
C	Maximum platform height	3170 mm
D/E	Base overall dimensions	1000 x 760 mm
F/G	Cage dimensions	750 x 540 mm
Machine weight	400 kg	
H/I	Fixed picking tray dimensions	230 x 750 mm
Dimensioni piano fisso	40 kg	
Drive wheels dimension	Ø 220 x 65	
Swivel wheels dimensions	Ø 200 x 45	

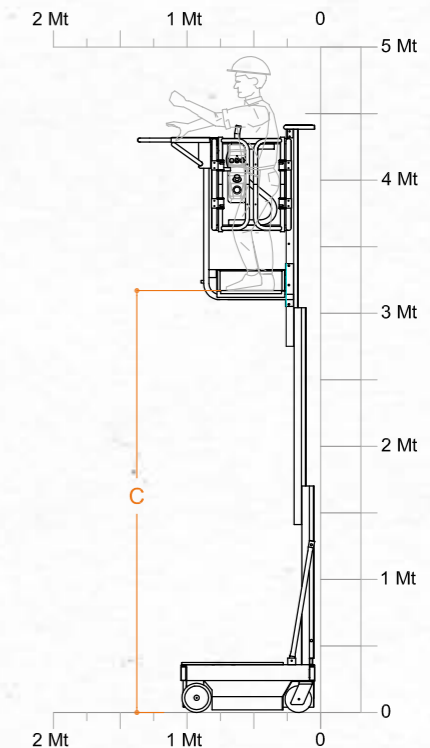


PICKING PLATFORM

Adjustment	manual	
J	Stroke	840 mm
Min. height from the ground	800 mm	
Max. height from the ground	4320 mm	
K(L)/M	Dimensions	380 (540) x 760 mm
Capacity	60 kg	

PERFORMANCE

Power supply	electrical	
Batteries	Lead-Acid Batteries 12V 105 Ah	
Battery charger	110V - 220V	
N	Pendenza massima superabile	13%
Climbing ability at height	2,5%	
Internal turning radius	0	
External turning radius	1200 mm	
Max. speed (rising - descending)	0,12 - 0,15 m/s	
Maximum shifting speed (on the ground - at height)	0,9 - 0,2 m/s	
O	Maximum pressure for wheel at full load*	2,1 kN
Work cycles ** (with fresh batteries)	Ca. 140	



* Maximum pressure whereas the weight of the platform plus the maximum load on the basket are completely distributed on one side of the platform (totally asymmetric load).

** By work cycle we mean a self-propelled movement of 20 m with a full ascent to and descent from the maximum height and with adjustment of the loading platform.