

ELEVAH[®] 70

ELEVAH 70



The Elevah 70 is the aerial platform equipped with a big basket, which has a capacity of 200 kg. It reaches 7 m working height.

Safety is ensured during any type of work at height (maintenance, inspection, assembly, etc ...)



The emovable control allows the platform to be raised from the ground.

SOME ACCESSORIES AND CUSTOMISATION



AT 10.1: Power Batteries 12V wit Power connection to the Tractor.

OTHER ACCESSORIES AND COSTUMISATION ON P. 46

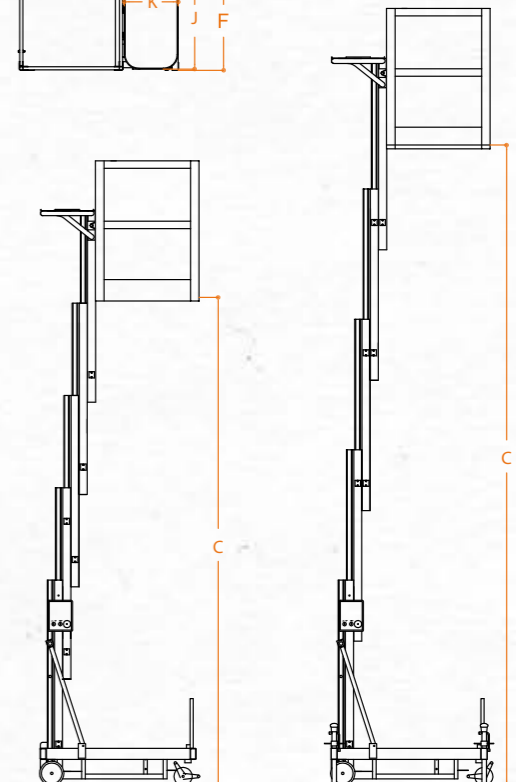
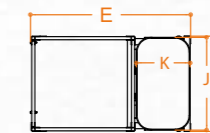
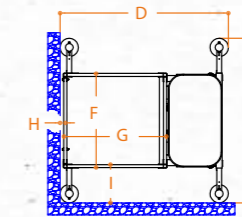


By using stabilizers and positioning the cage 70 cm above ground level, a working height of 7 m can be reached.

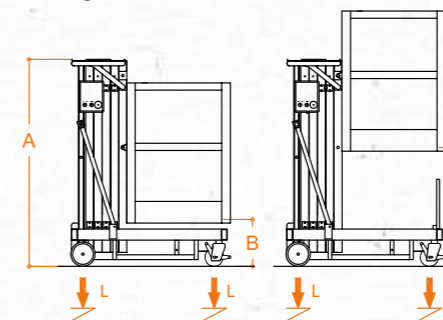


TECHNICAL DATA

	Without Stabilizers	With Stabilizers
Max. working height	6 m	7,25 m
Max capacity	200 kg	
Number of people	1	
Use	internal	
A Closed machine height	1700 mm	
B Minimum platform height	380 mm	
C Maximum platform height	4000 mm	5250* mm
D/E Base overall dimensions	1320x780 mm	1380x1350 mm
F/G Cage dimensions	780x850 mm	
H/I Max. distance from the wall	0 mm	40 x 300 mm
J/K Fixed picking tray dimensions	760 x 440 mm	
Fixed platform capacity	20 kg	
Machine weight (with stabilisers) (power supply 220V 50/60Hz)	398 kg	
Drive wheels dimension	Ø 200 x 50	
Swivel wheels dimensions	Ø 150 x 45	
Max. speed (rising – descending)	0,20 - 0,15 m/s	
L Maximum pressure for wheel at full load**	2,0 kN	2,10 kN
Work cycles*** (with fresh batteries)	Ca. 200	-
POWER SUPPLY	Option 1	Option 2
Batteries	2 Pb Acido - 12 V 105 Ah	220V 50/60Hz
Battery charger	110V - 220V	-



- * Max H. reached with cage at height - C -
- ** Maximum pressure whereas the weight of the platform plus the maximum load on the basket are completely distributed on one side of the platform (totally asymmetric load).
- *** By work cycle we mean a self-propelled movement of 20 m with a full ascent to and descent from the maximum height



ELEVAH 70

PUSH AROUND MACHINE